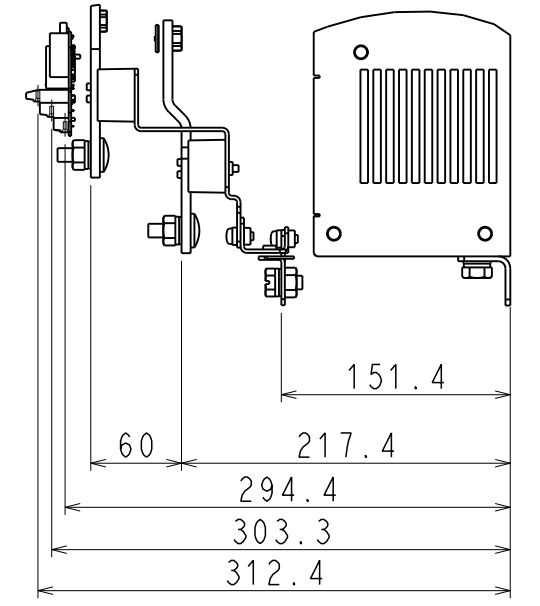
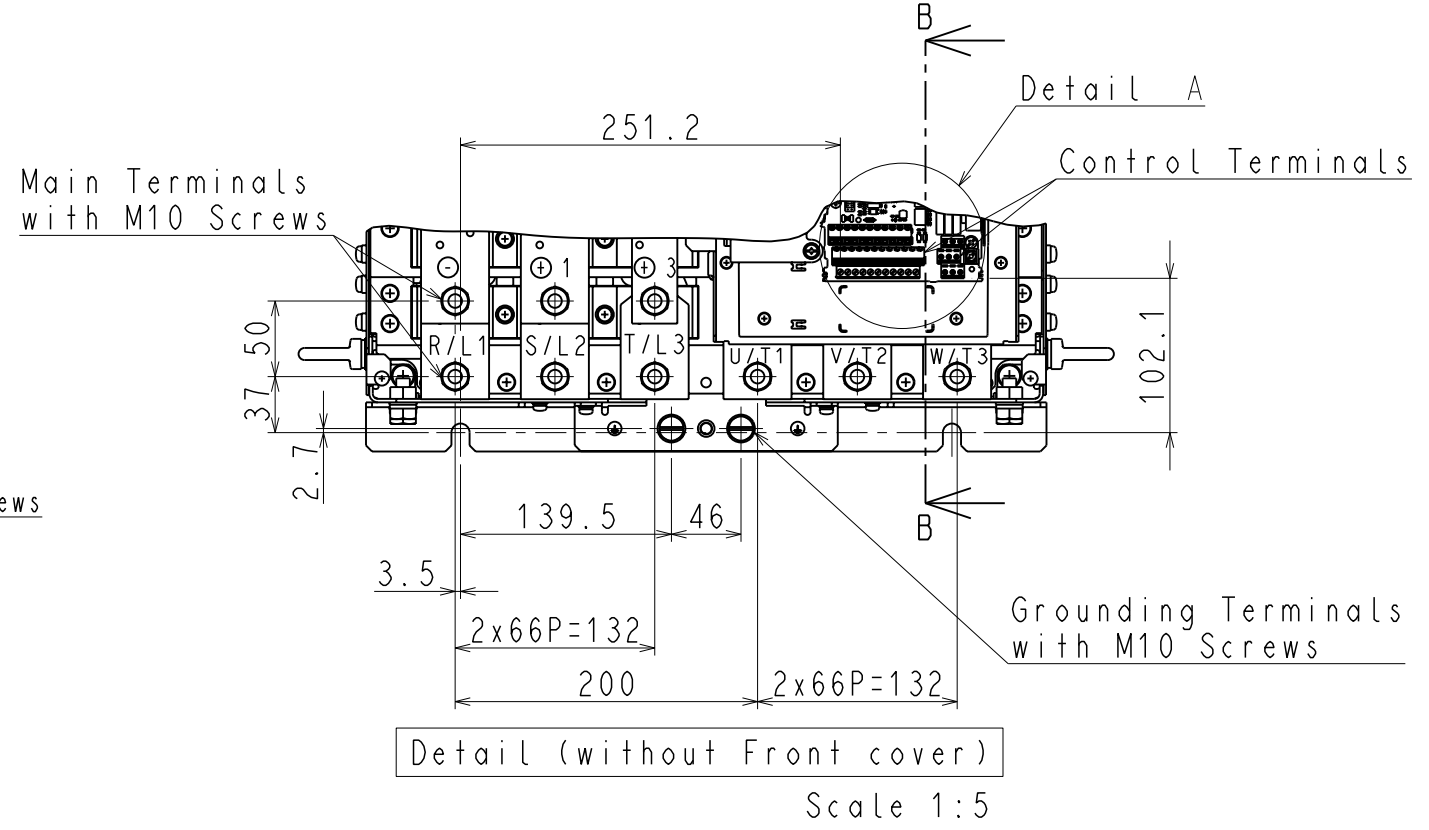
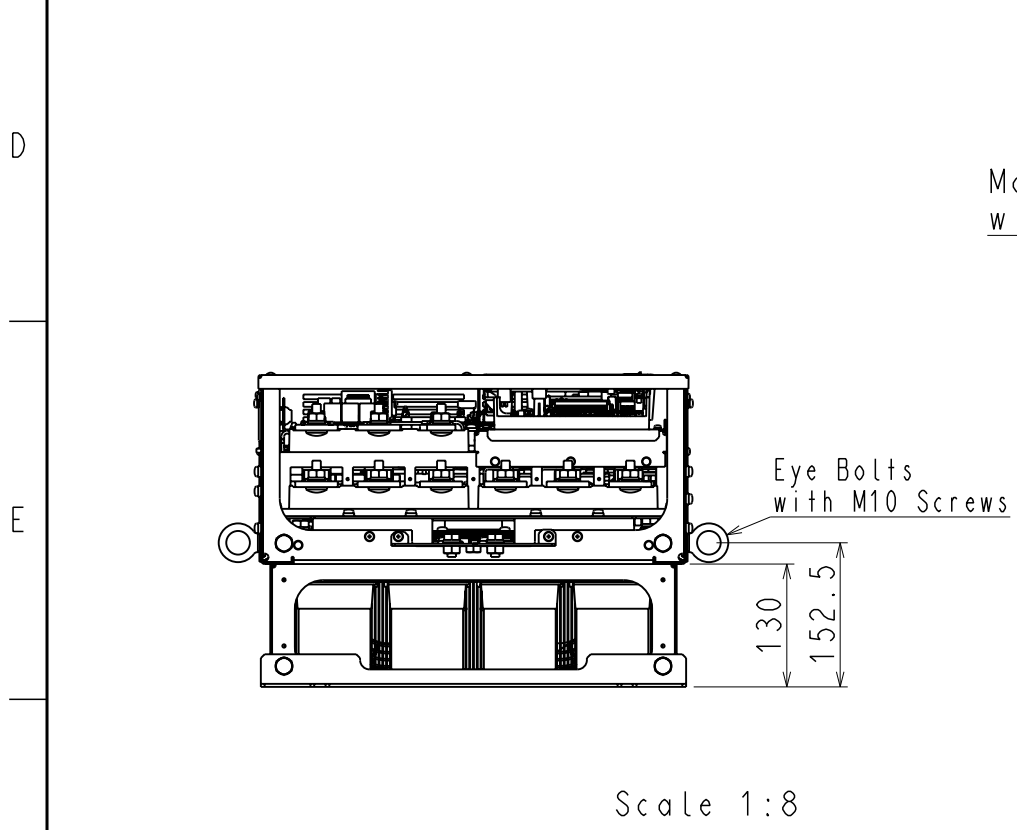
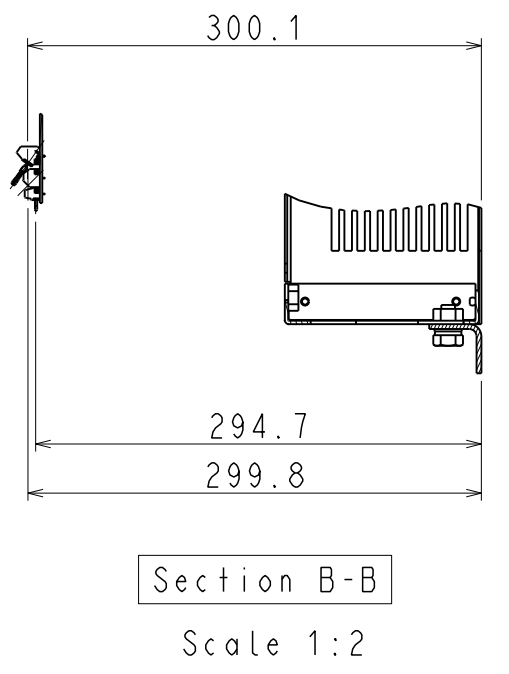
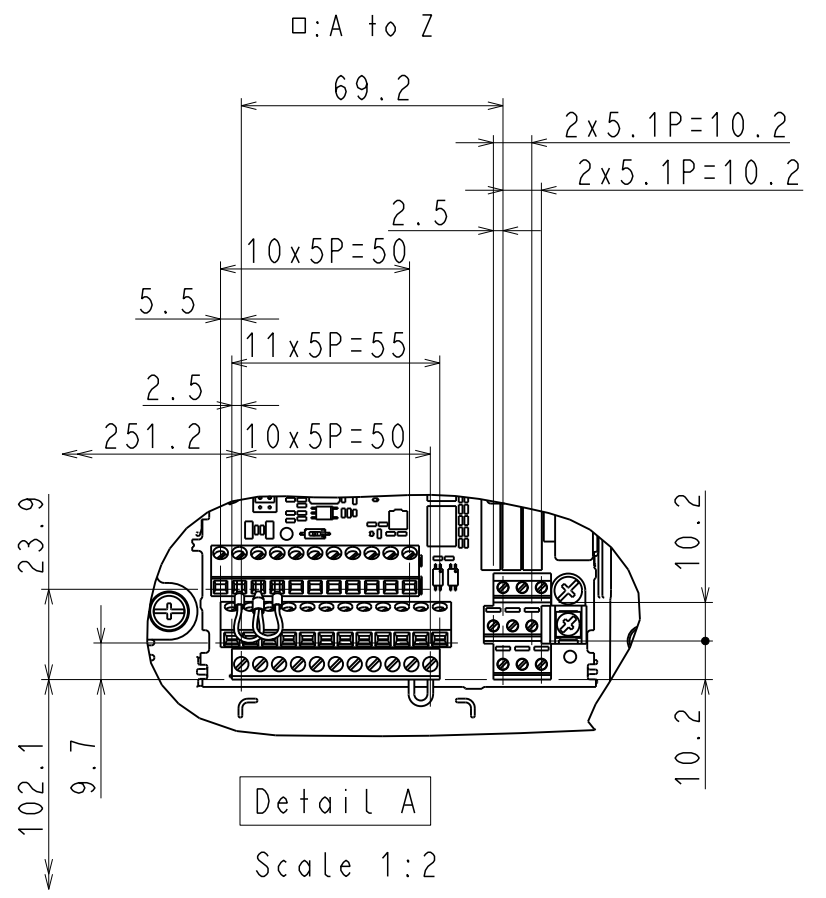
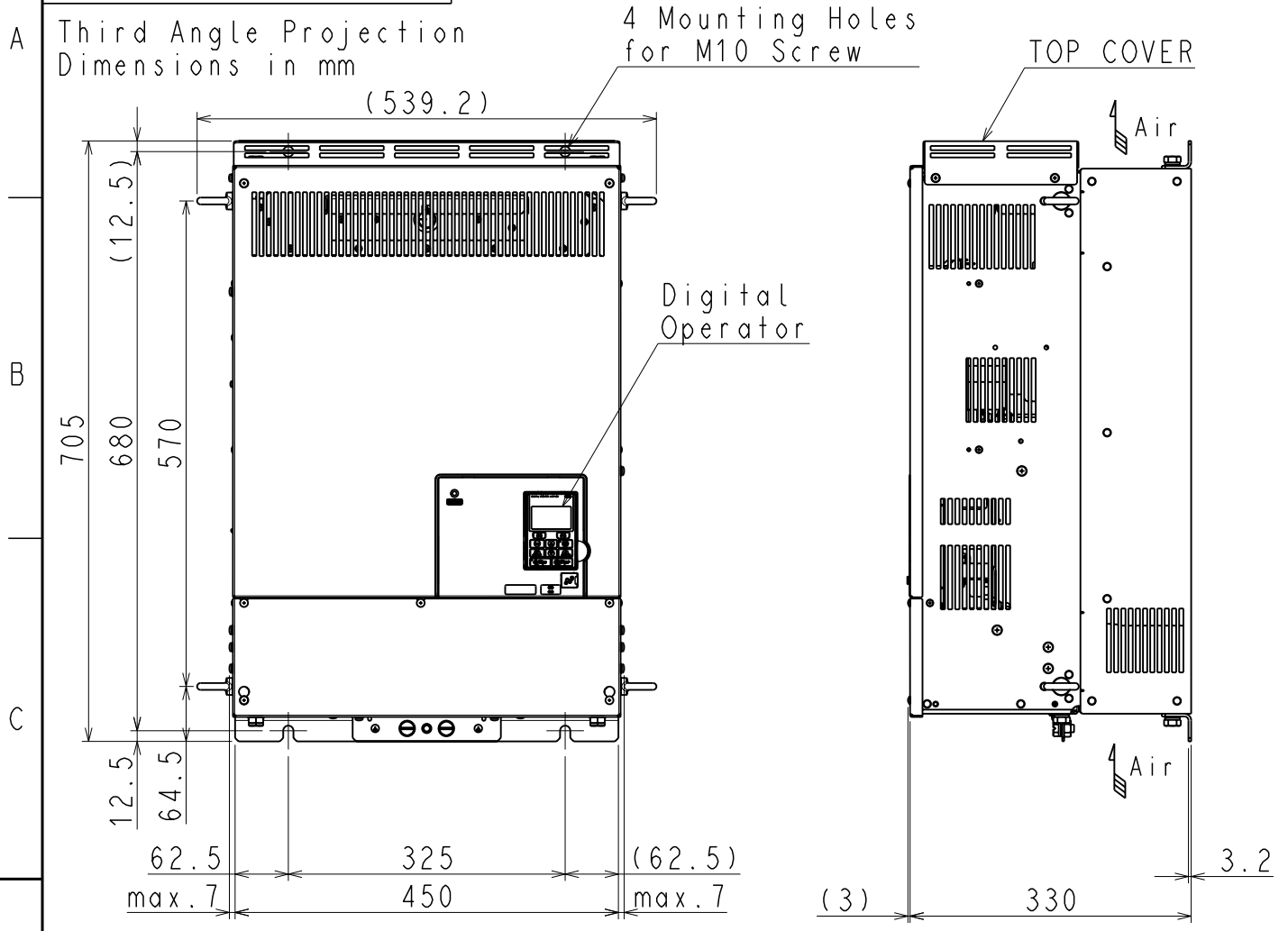


DWG. NO. EZZ902419-1/1

Model No.	Max Appli. Motor (kW)		Terminal Symbol			Cooling Fan	Mass (kg)			
	Normal Duty	Heavy Duty	INPUT OUTPUT (MOTOR)							
CIMR-LU5□0099D	-	75	R/L1	S/L2	T/L3	U/T1	V/T2	W/T3	2	80.5



REVISIONS	 SCALE - : -	 YASKAWA	DRAW. Nov. 28, 2013 N. Takeyama	TITLE L1000A OPEN CHASSIS TYPE	DWG. NO. EZZ902419	1/1	REV.
			CHECK M. Kojyo				
			APPR. M. Kojyo				